

# Inflatable boat GALA Freestyle F360

Technical drawing

## Builder's plate

**GALA**  
INFLATABLE BOATS

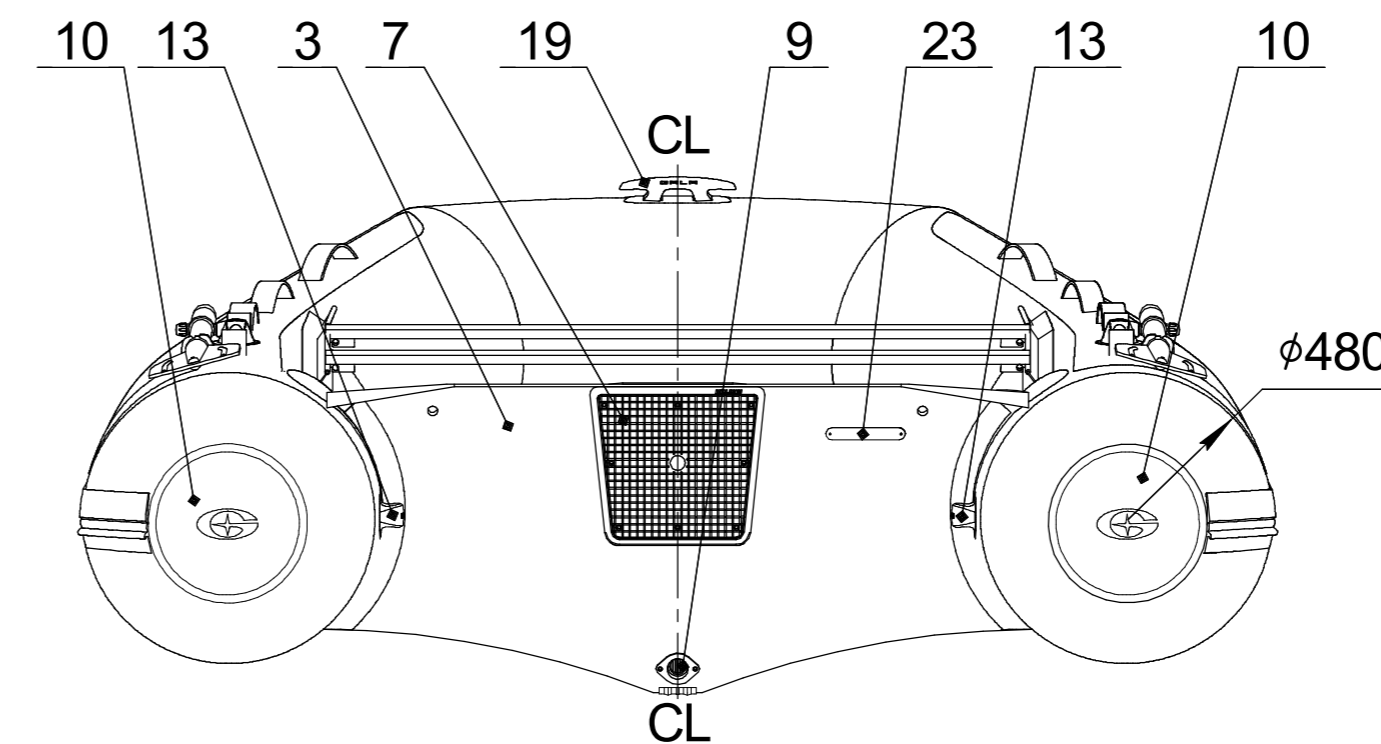
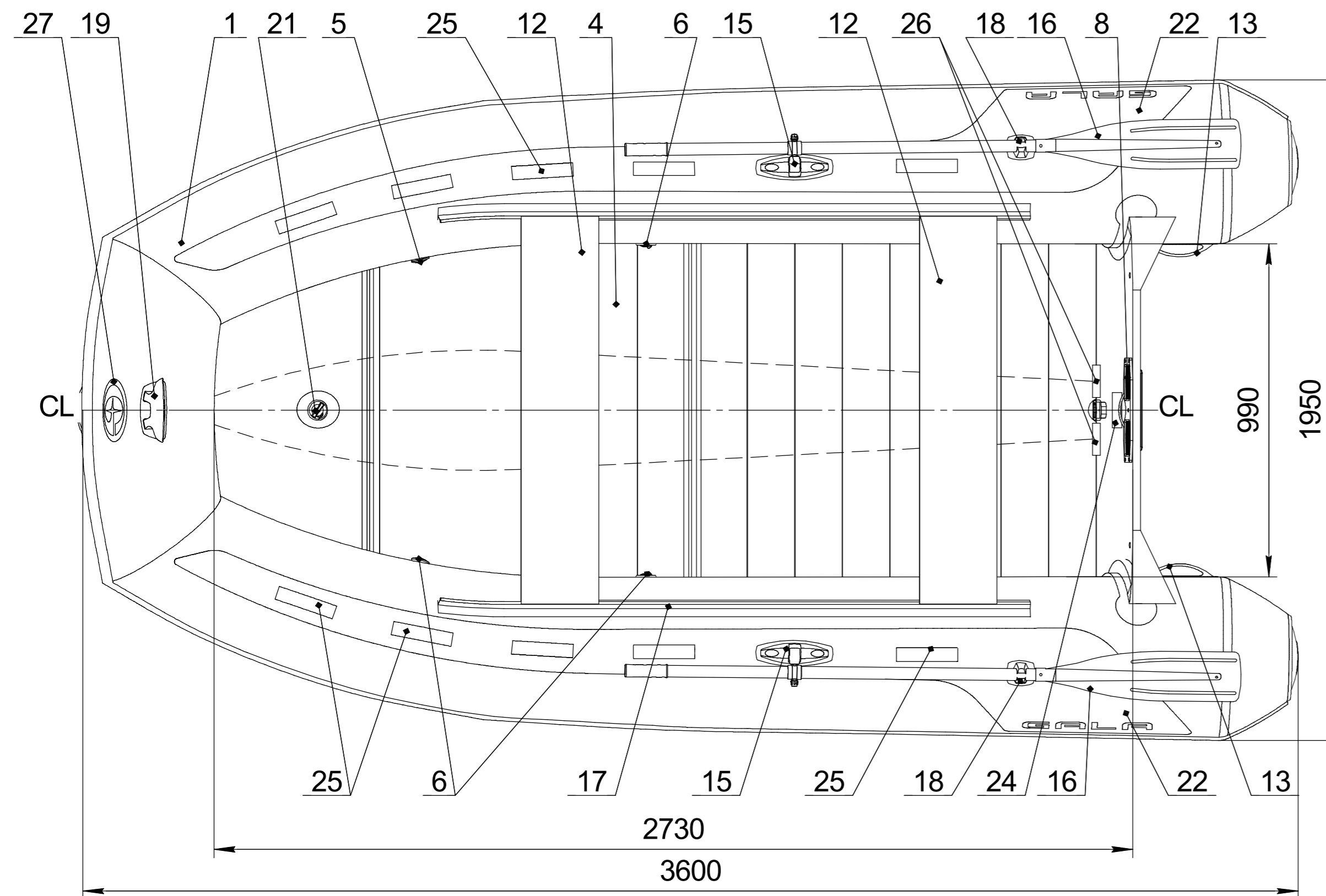
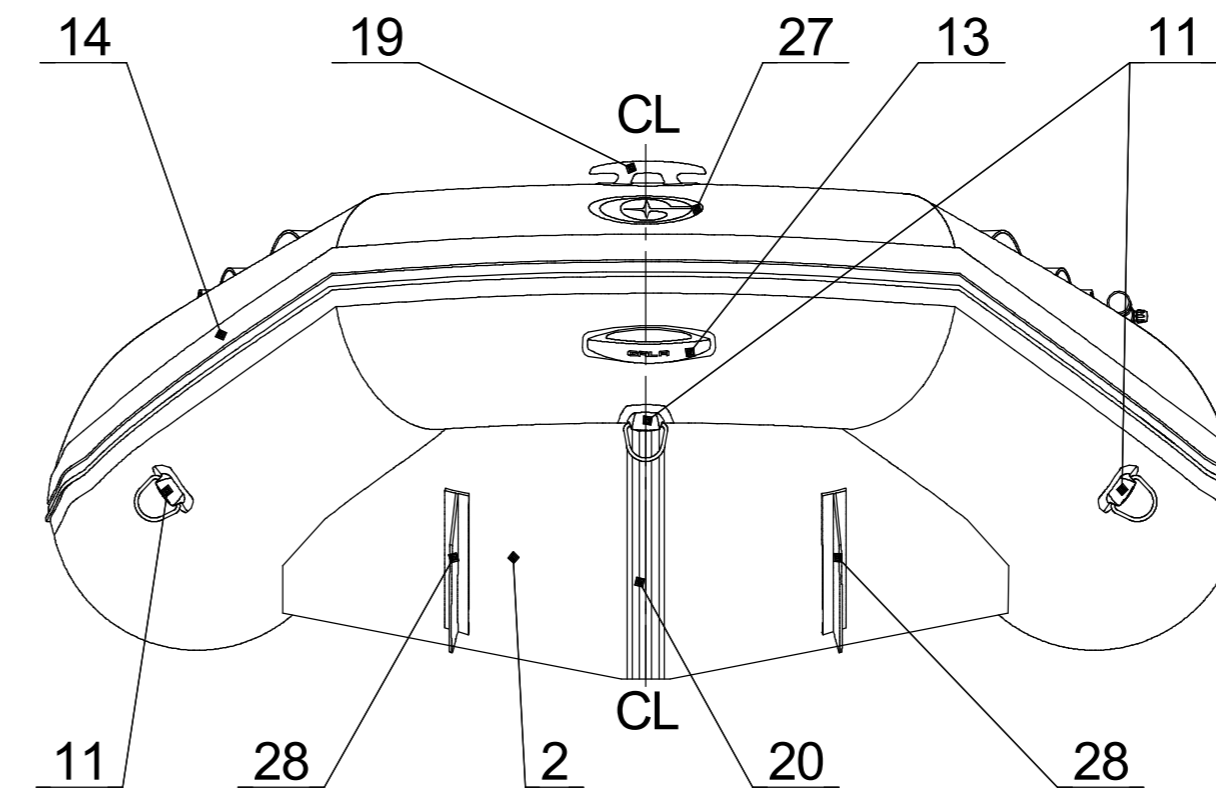
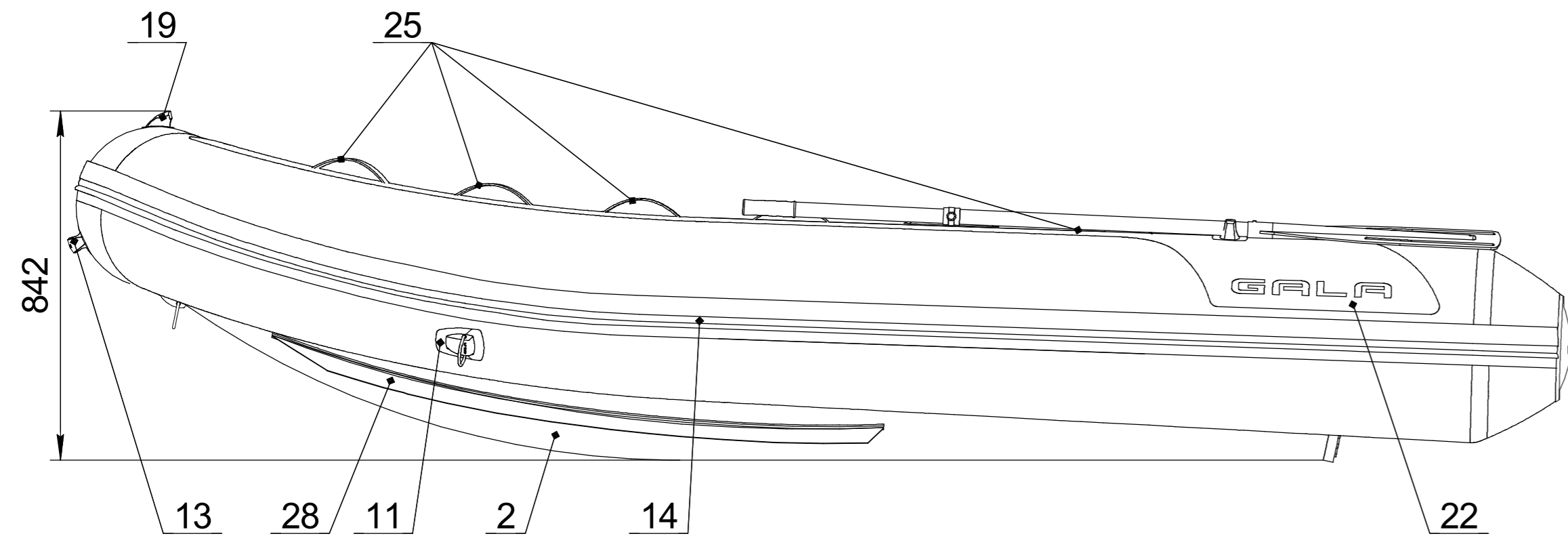
Model **F360**    **7** + **1**

**750** kg    **1650** lbs

**22.1** kW    **30** HP    Type **VII**

**80** kg    **176** lbs    Cat. **C**

**0.2** bar    **2.89** psi    International Standard ISO/FDIS-6185



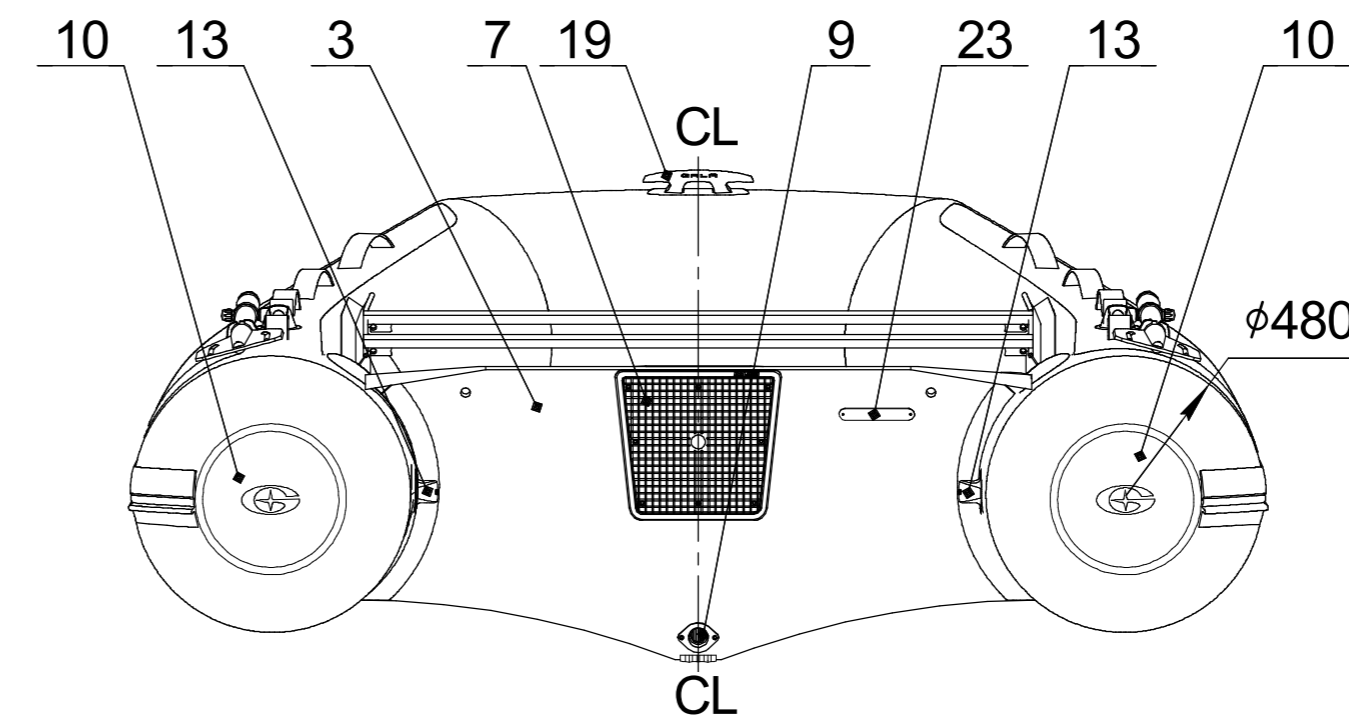
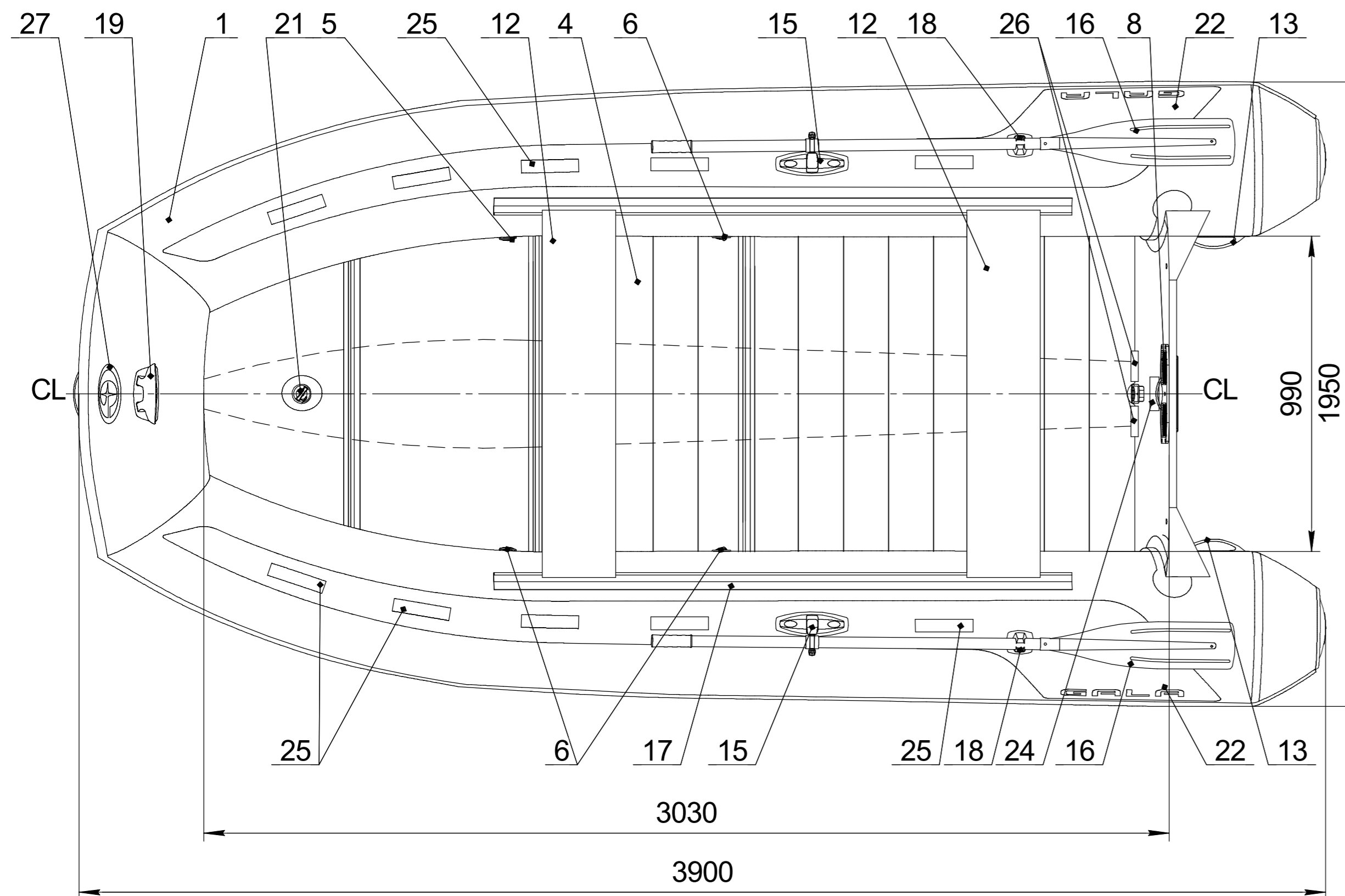
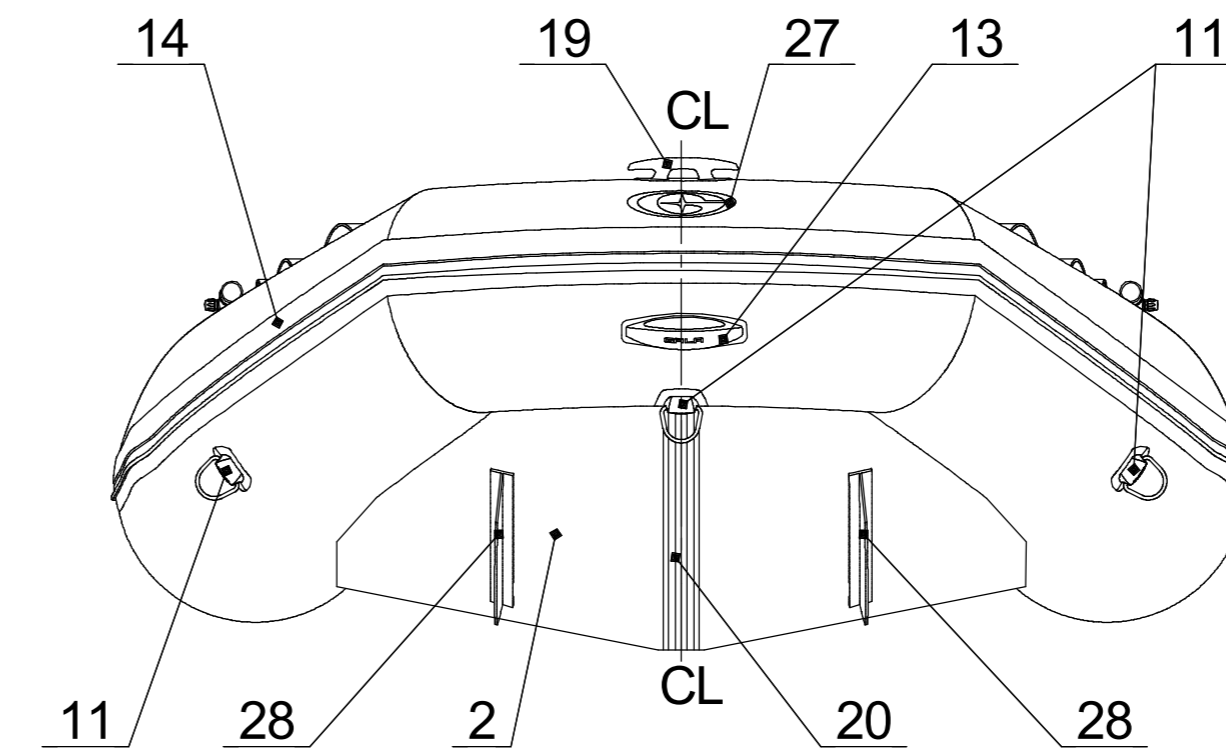
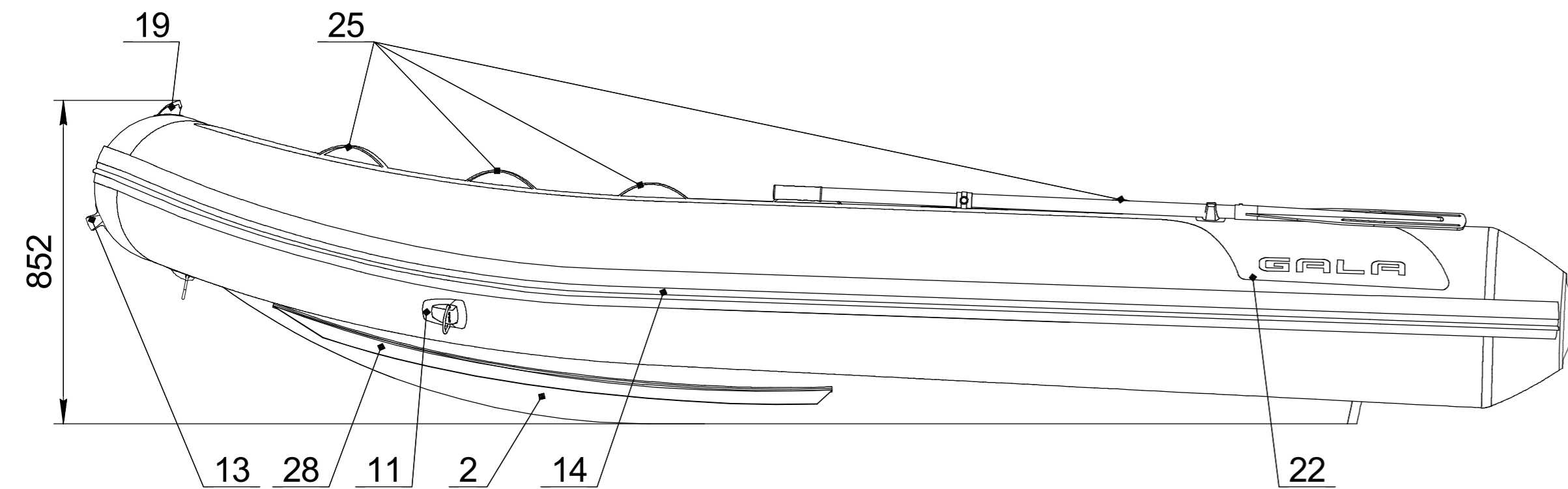
## Boat specification

Item	Item No	Description	Q-ty	Note
1		Inflatable tube for F360	1	
2		V-shape bottom for F360	1	
3		Integral marine grade ply transom for F360	1	
4		Floorboards set for F360	1	
5		Over pressure valve	1	
6		Inflation-deflation valve	3	
7		Motor plate external	1	
8		Motor plate internal	1	
9		Expanding drain plug	1	
10		Tube end, PVC	2	
11		Towing eye, PVC	3	
12		Aluminum seat	2	
13		GALA handle, PVC	3	
14		Rubbing strake	1	
15		Oarlock	2	
16		Oar 180 cm with rivert	2	
17		Seat holder	2	
18		Oar holder	2	
19		GALA cleat, PVC	1	
20		Keel protector	1	
21		Inflatable keel with inflation-deflation valve	1	
22		GALA logo	2	
23		CIN plate	1	
24		Builder's plate	1	
25		Safety grab handle	10	
26		Floor stop	2	
27		GALA logo front	1	
28		Spay deflecto	2	

NAME	DATE	ITEM No:
DRAWN		
CHECKED		TITLE:
ENG APPR.		<b>GALA Freestyle F360</b>
MFG APPR.		
Q.A.		
SIZE	DWG. NO.	REV
SCALE: 1:10	WEIGHT:	SHEET 1 OF 1

# Inflatable boat GALA Freestyle F390

Technical drawing



## Builder's plate

**GALA**  
INFLATABLE BOATS

Model   +

kg  lbs

kW  HP Type

kg  lbs Cat.

bar  psi International Standard ISO/FDIS-6185

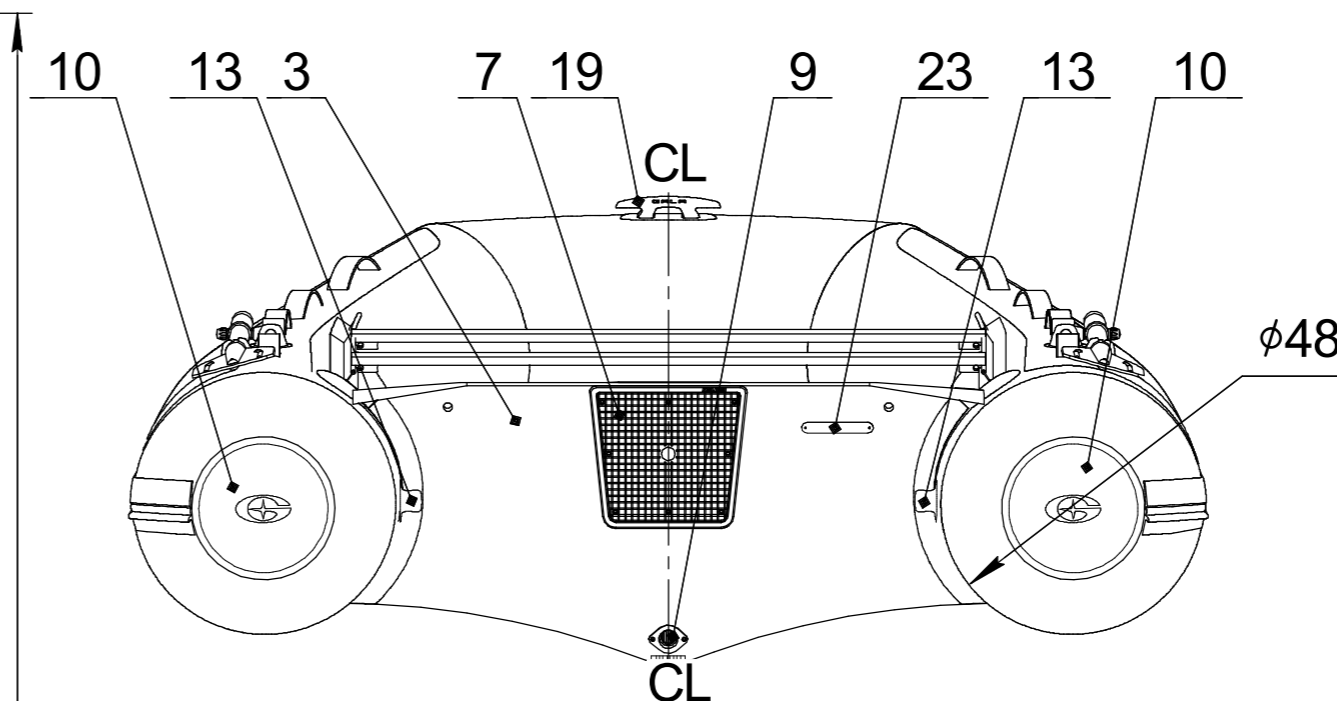
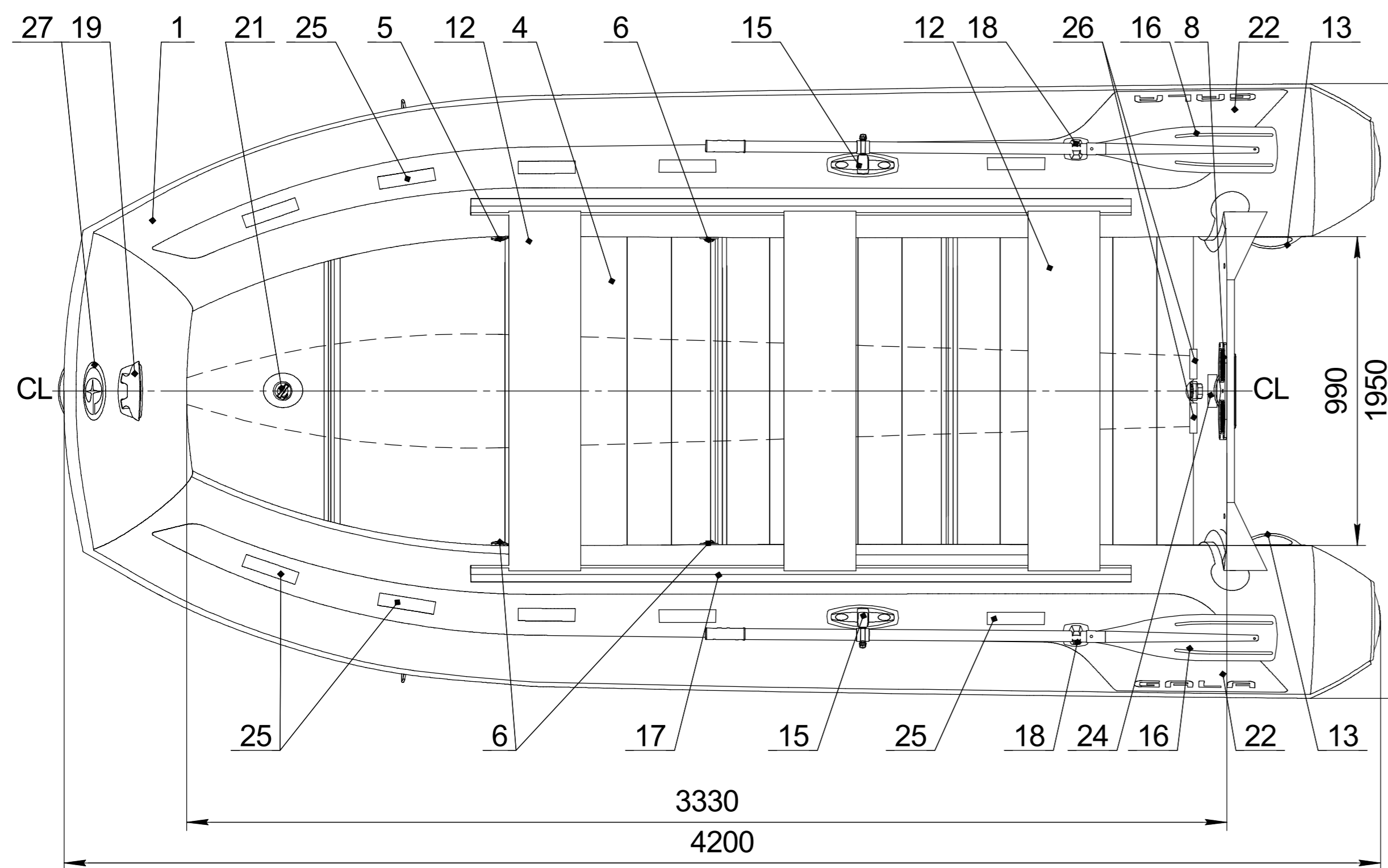
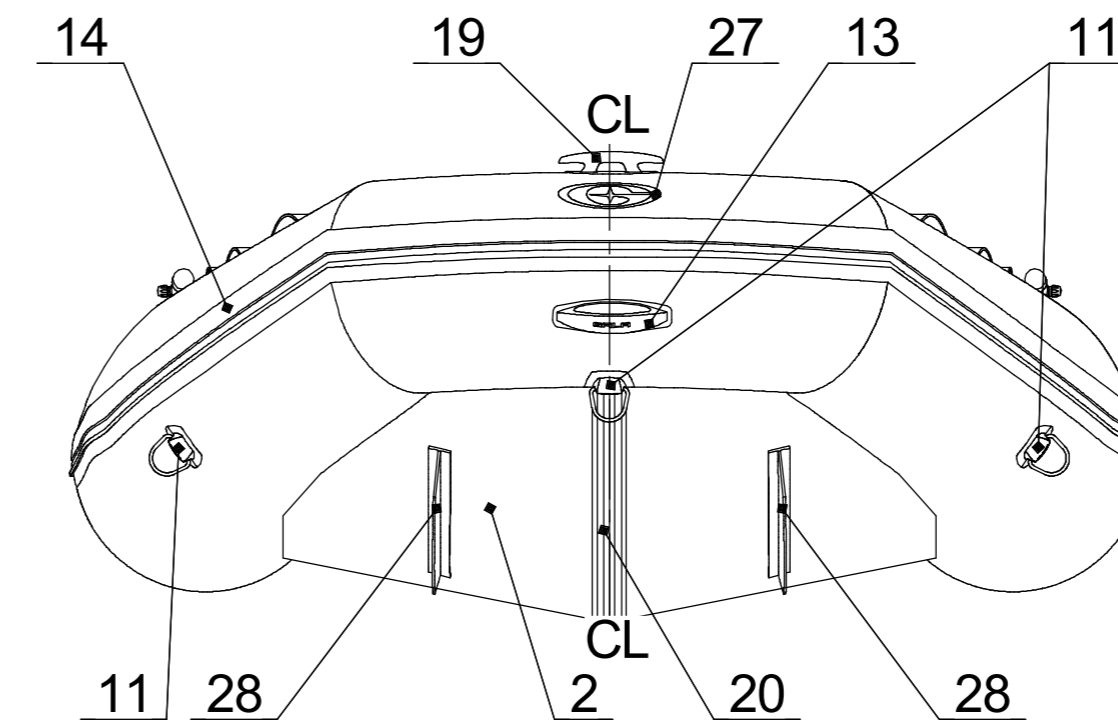
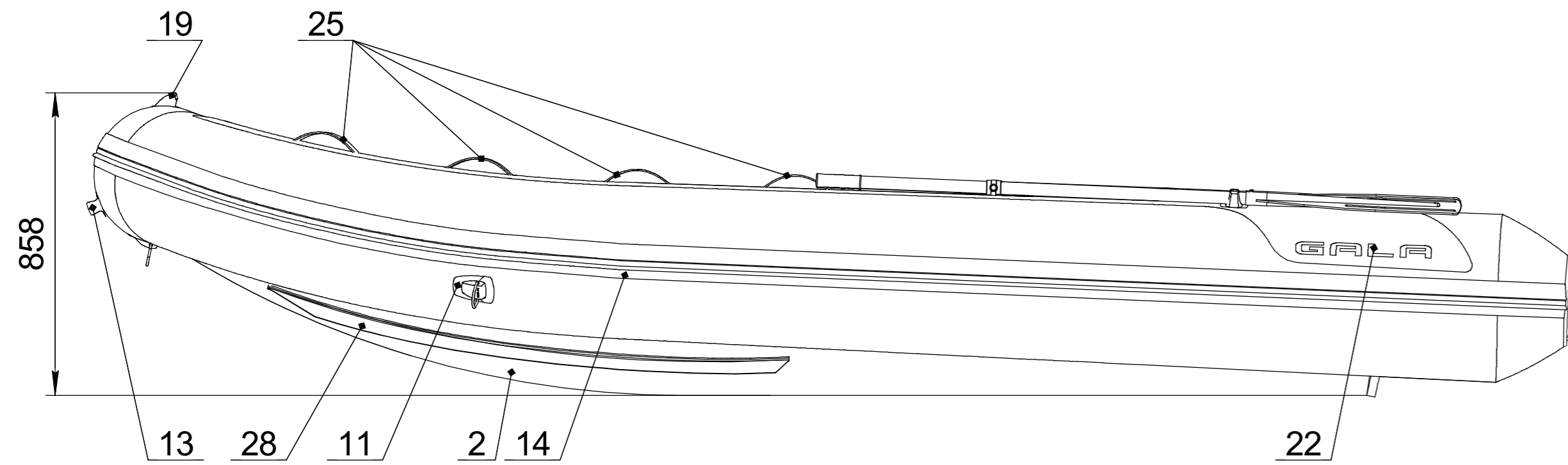
## Boat specification

Item	Item No	Description	Q-ty	Note
1		Inflatable tube for F390	1	
2		V-shape bottom for F390	1	
3		Integral marine grade ply transom for F390	1	
4		Floorboards set for F390	1	
5		Over pressure valve	1	
6		Inflation-deflation valve	3	
7		Motor plate external	1	
8		Motor plate internal	1	
9		Expanding drain plug	1	
10		Tube end, PVC	2	
11		Towing eye, PVC	3	
12		Aluminum seat	2	
13		GALA handle, PVC	3	
14		Rubbing strake	1	
15		Oarlock	2	
16		Oar 180 cm with rivert	2	
17		Seat holder	2	
18		Oar holder	2	
19		GALA cleat, PVC	1	
20		Keel protector	1	
21		Inflatable keel with inflation-deflation valve	1	
22		GALA logo	2	
23		CIN plate	1	
24		Builder's plate	1	
25		Safety grab handle	10	
26		Floor stop	2	
27		GALA logo front	1	
28		Spay deflecto	2	

NAME	DATE	ITEM No:
DRAWN		
CHECKED		TITLE:
ENG APPR.		<b>GALA Freestyle F390</b>
MFG APPR.		
Q.A.		
SIZE	DWG. NO.	REV
SCALE: 1:10		WEIGHT:
		SHEET 1 OF 1

# Inflatable boat GALA Freestyle F420

Technical drawing



## Builder's plate

**GALA**  
INFLATABLE BOATS

Model **F420**    **8** + **1**

**850** kg    **1870** lbs

**29.4** kW    **40** HP    Type **VII**

**95** kg    **209** lbs    Cat. **C**

**0.2** bar    **2.89** psi    International Standard ISO/FDIS-6185

## Boat specification

Item	Item No	Description	Q-ty	Note
1		Inflatable tube for F420	1	
2		V-shape bottom for F420	1	
3		Integral marine grade ply transom for F420	1	
4		Floorboards set for F420	1	
5		Over pressure valve	1	
6		Inflation-deflation valve	3	
7		Motor plate external	1	
8		Motor plate internal	1	
9		Expanding drain plug	1	
10		Tube end, PVC	2	
11		Towing eye, PVC	3	
12		Aluminum seat	3	
13		GALA handle, PVC	3	
14		Rubbing strake	1	
15		Oarlock	2	
16		Oar 180 cm with rivert	2	
17		Seat holder	2	
18		Oar holder	2	
19		GALA cleat, PVC	1	
20		Keel protector	1	
21		Inflatable keel with inflation-deflation valve	1	
22		GALA logo	2	
23		CIN plate	1	
24		Builder's plate	1	
25		Safety grab handle	10	
26		Floor stop	2	
27		GALA logo front	1	
28		Spay deflecto	2	

NAME	DATE	ITEM No:
DRAWN		
CHECKED		TITLE:
ENG APPR.		<b>GALA Freestyle F420</b>
MFG APPR.		
O.A.		
SIZE	DWG. NO.	REV
SCALE: 1:10	WEIGHT:	SHEET 1 OF 1

# Inflatable boat GALA Freestyle F450

Technical drawing

## Builder's plate

**GALA**  
INFLATABLE BOATS

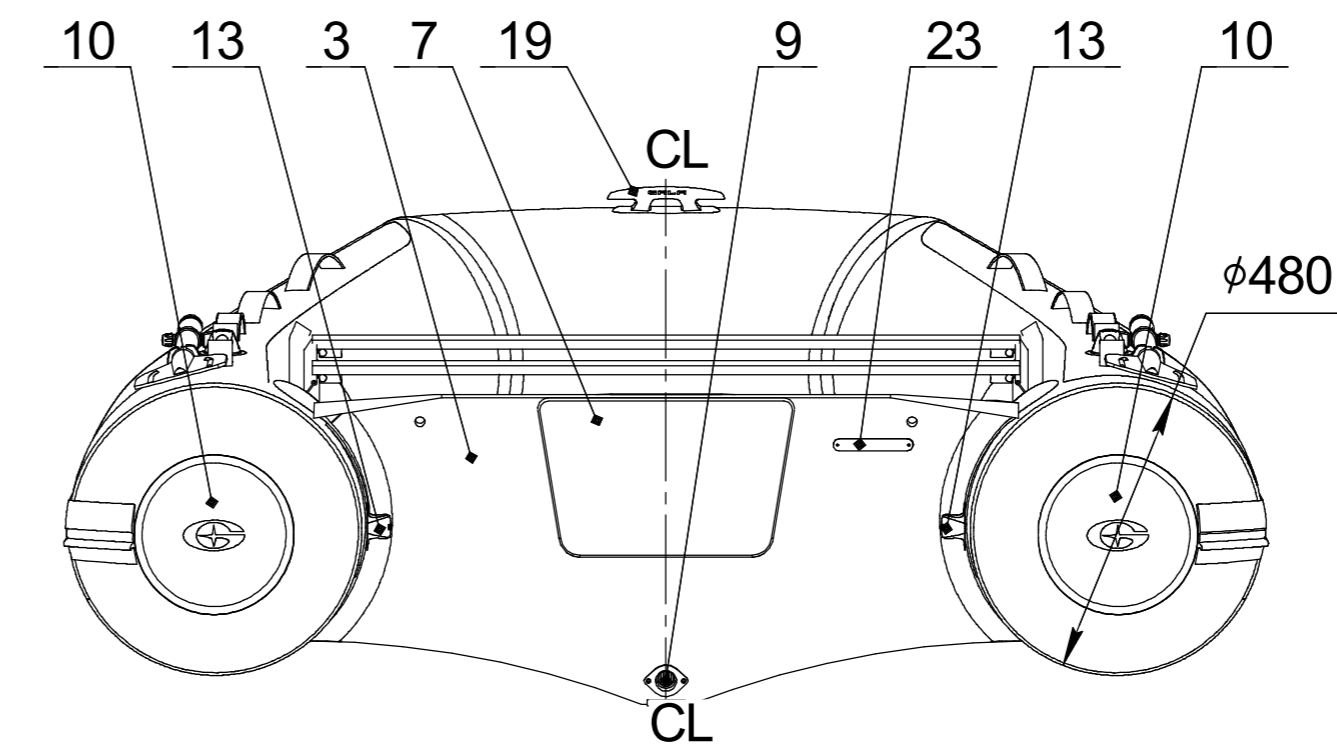
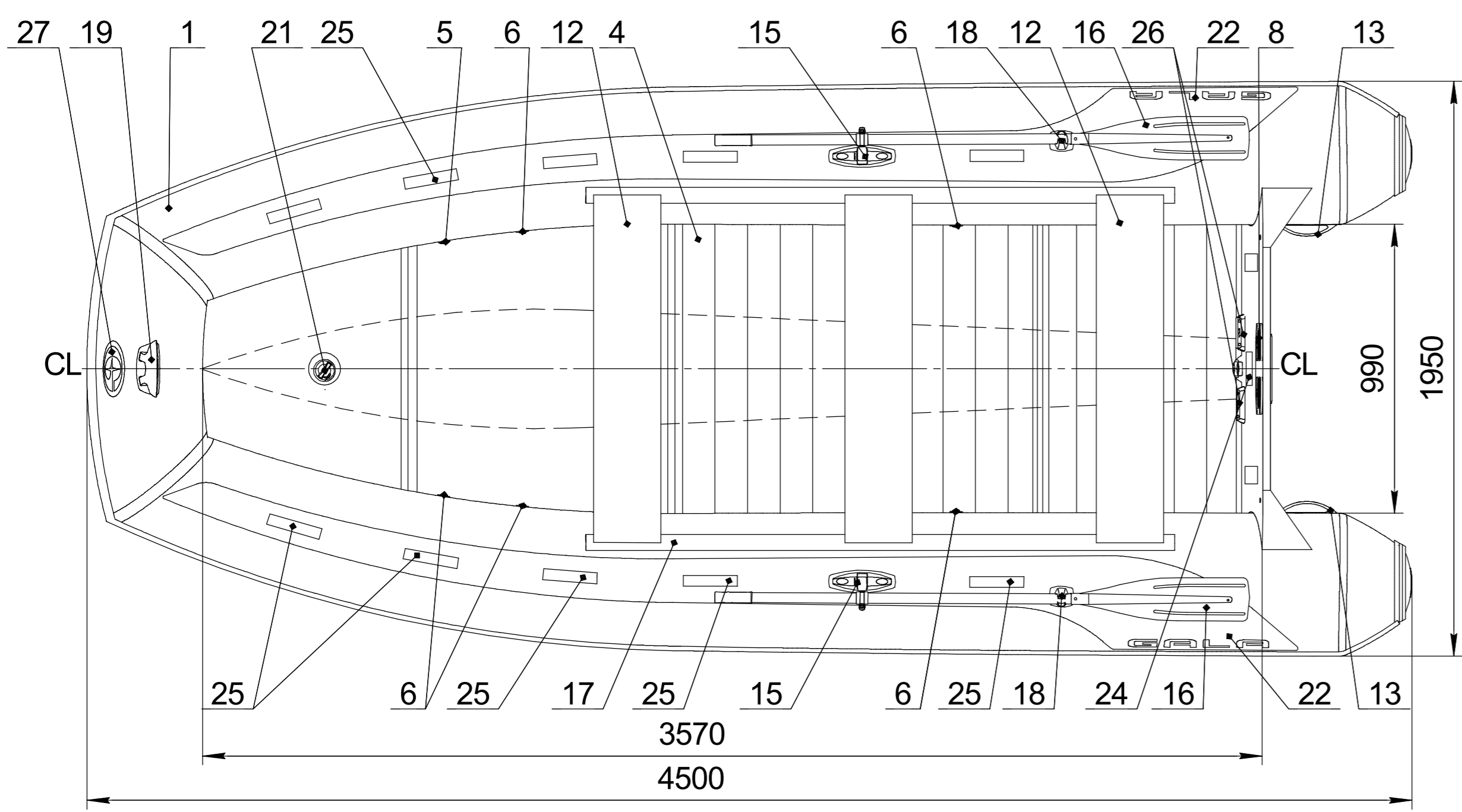
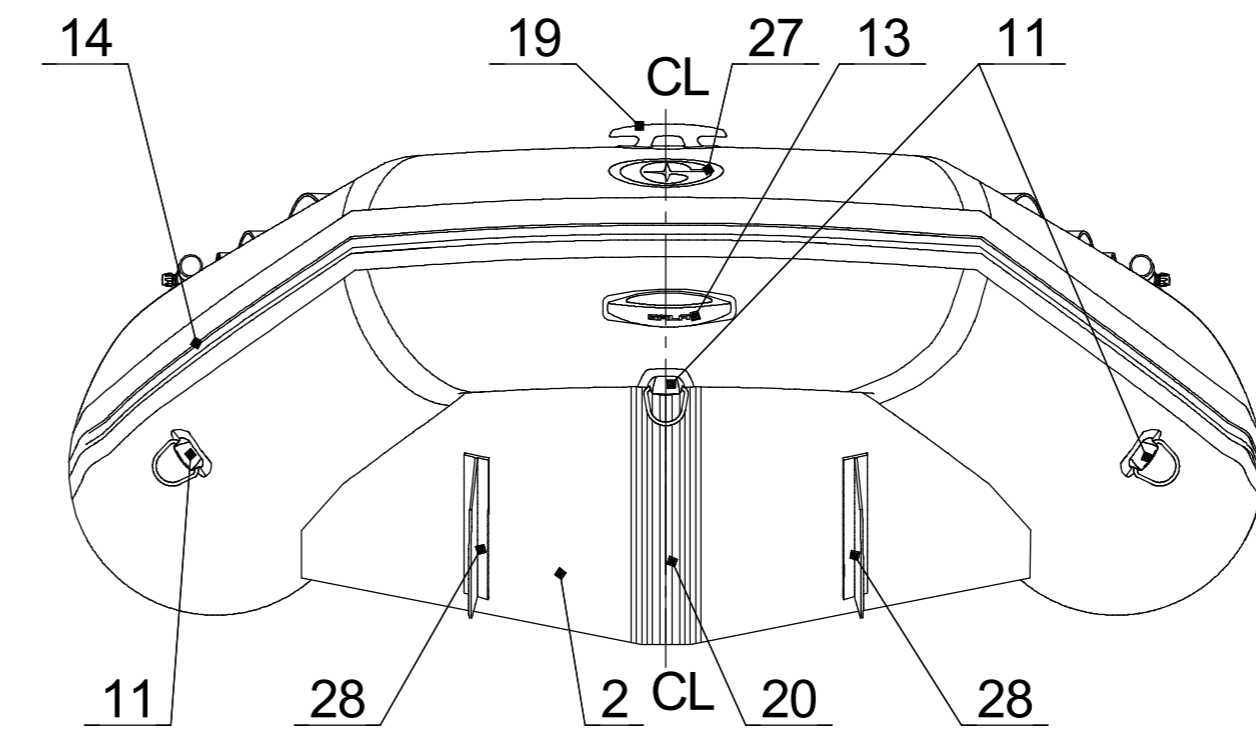
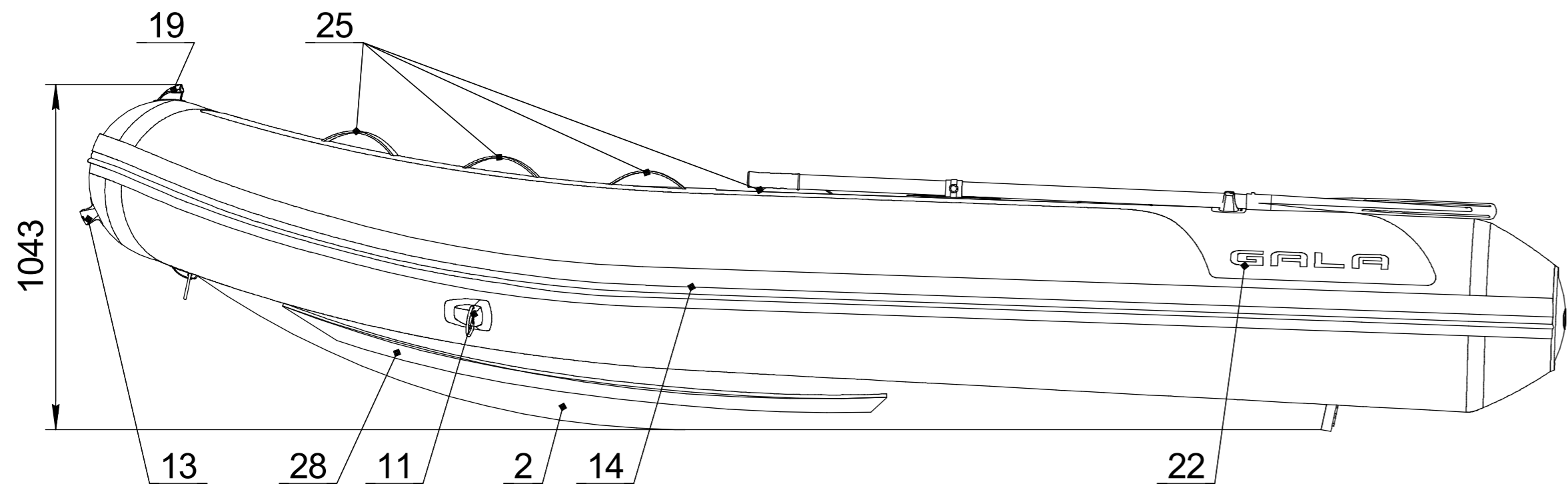
Model   +

+  +  +   kg  lbs

kW  HP Type

kg  lbs Cat.

bar  psi International Standard ISO/FDIS-6185



## Boat specification

Item	Item No	Description	Q-ty	Note
1		Inflatable tube for F450	1	
2		V-shape bottom for F450	1	
3		Integral marine grade ply transom for F450	1	
4		Floorboards set for F450	1	
5		Over pressure valve	1	
6		Inflation-deflation valve	5	
7		Motor plate external	1	
8		Motor plate internal	1	
9		Expanding drain plug	1	
10		Tube end, PVC	2	
11		Towing eye, PVC	3	
12		Aluminum seat	3	
13		GALA handle, PVC	3	
14		Rubbing strake	1	
15		Oarlock	2	
16		Oar 180 cm with rivert	2	
17		Seat holder	2	
18		Oar holder	2	
19		GALA cleat, PVC	1	
20		Keel protector	1	
21		Inflatable keel with inflation-deflation valve	1	
22		GALA logo	2	
23		CIN plate	1	
24		Builder's plate	1	
25		Safety grab handle	10	
26		Floor stop	2	
27		GALA logo front	1	
28		Spay deflecto	2	

	NAME	DATE	ITEM No:
DRAWN			TITLE:
CHECKED			<b>GALA Freestyle F450</b>
ENG APPR.			
MFG APPR.			
Q.A.			
SIZE		DWG. NO.	REV
SCALE: 1:10		WEIGHT:	SHEET 1 OF 1